



QuarterHorse

Quick Disconnect

IMPORTANT NOTE

This option serves as a double protection when the battery is accidentally disconnected from the charger during charge. It will help to shut off the charger quickly. However, to remove a charging battery from the charger, it is important to press the STOP push-button switch before disconnecting the battery from the charger. Failure to do this may damage the charger.

INTRODUCTION

The QuarterHorse charger must be equipped with a SBX or EBC (euro) type output connector to install this option. The auxiliary contacts from the battery charger connector are connected to a screw-type terminal block located on the charger control board. The auxiliary contacts on the battery side are connected together via the jumper supplied to form a closed loop when the battery is connected to the charger. Disconnecting the battery from the charger during charge will open the loop, prompting the charger control to shut the charger off.

PART LISTS

The Quick Disconnect Kit consists of:

- Auxiliary cable harness with contacts and SBX or EBC connector for the charger
- #18AWG Jumper with SBX auxiliary housings or EBC large auxiliary sockets for the battery
- Cable ties
- Grommet
- FM1300 QuarterHorse Quick Disconnect Assembly Instructions

INSTALLATION

Charger Installation with SBX Type Connector

- Insert the unstripped end of the auxiliary cable harness through the front end of the charger SBX connector. See Fig. 2.
- Install the red and black auxiliary housings into the SBX connector on the charger and secure using the pins supplied as shown in Fig. 3A.
- Run the cable along the red and black output cables of the charger.
- Remove the hole plug from the charger chassis, located next to the output cables.
- Assemble the grommet around the auxiliary cable harness, leaving enough slack to enable the grommet to easily be pushed into the opening in the charger chassis. Push the grommet into the charger chassis opening until it is properly seated.
- Open the charger door. Locate the screw-type terminal block on the bottom edge of the control board, which is either mounted to the panel above the door or to the door on some models. Remove the factory installed jumper connected between pin 1 and 4.

- Strip the outer jacket of the auxiliary wire harness approximately 1 ½ inch and strip the two inner conductors (clear/red and black insulated wires) ¼ inch. Connect the black and clear/red wires of the auxiliary harness to the screw-type terminal block on the control board, pins 1 and 4, as shown in Fig. 1.
- Secure the auxiliary cable harness to the charger output cables using the cable ties supplied. Internal to the charger, secure the auxiliary cable harness to the yellow cable assemblies currently connecting the printed circuit boards in the charger.

Charger Installation with EBC (Euro) Type Connector

- Assemble the large auxiliary pins into the connector as shown in Fig. 3B
- Run the cable along the red and black output cables of the charger.
- Remove the hole plug from the charger chassis, located next to the output cables.
- Assemble the grommet around the auxiliary cable harness, leaving enough slack to enable the grommet to easily be pushed into the opening in the charger chassis. Push the grommet into the charger chassis opening until it is properly seated.
- Open the charger door. Locate the screw-type terminal block on the bottom edge of the control board, which is either mounted to the panel above the door or to the door on some models. Remove the factory installed jumper connected between pin 1 and 4.
- Strip the outer jacket of the auxiliary wire harness approximately 1 ½ inch and strip the two inner conductors (clear/red and black insulated wires) ¼ inch. Connect the black and clear/red wires of the auxiliary harness to the screw-type terminal block on the control board, pins 1 and 4, as shown in Fig. 1.
- Secure the auxiliary cable harness to the charger output cables using the cable ties supplied. Internal to the charger, secure the auxiliary cable harness to the yellow cable assemblies currently connecting the printed circuit boards in the charger.

Battery Installation with SBX Type connector

- Install the red and black auxiliary housings of the #18AWG Jumper into the SBX battery connector and secure with the pins supplied, as shown in Fig. 4A & 5.

Battery Installation with EBC Type Connector

- Install the jumper with the large auxiliary sockets into the EBC battery connector as shown in Fig. 4B.

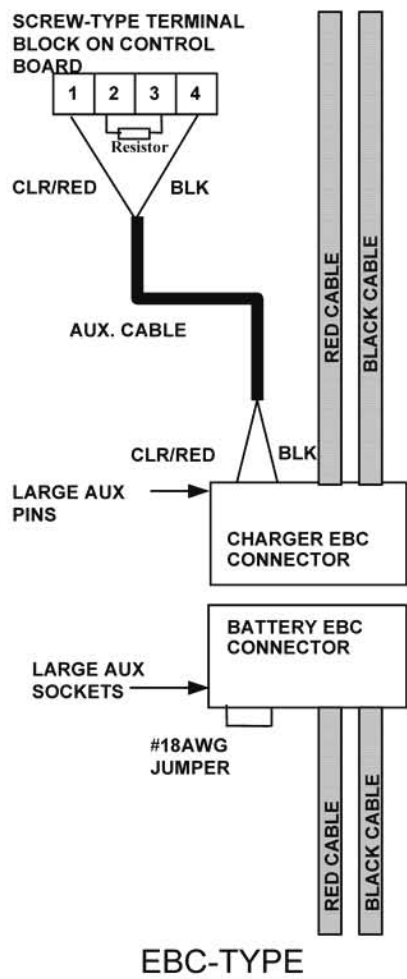
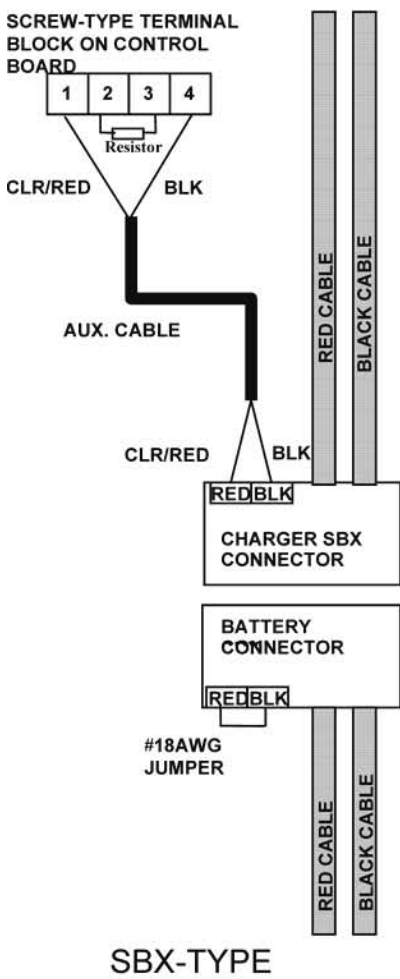


Fig. 1
Quick disconnect installation diagram

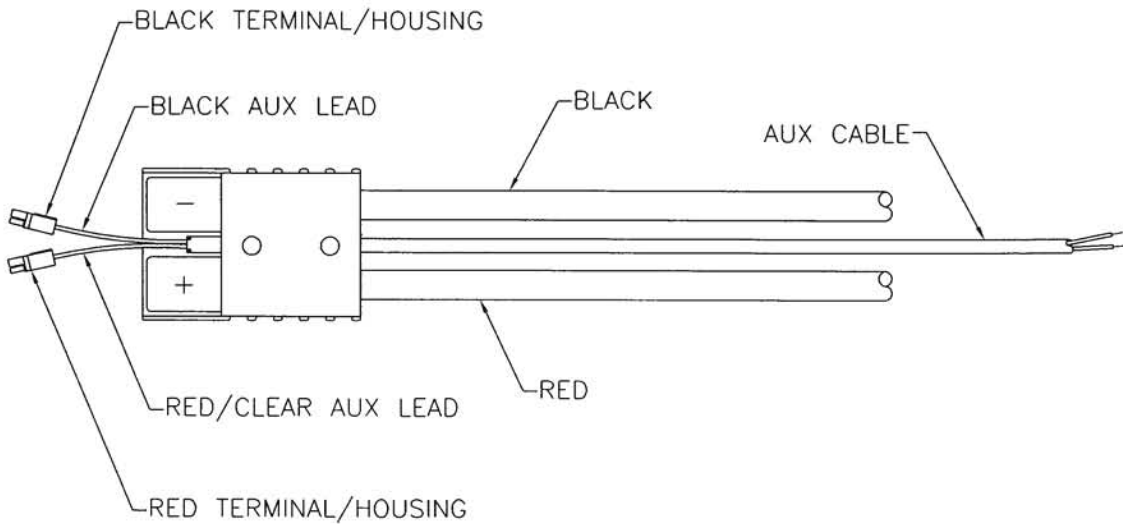


Fig. 2
Charger installation (SBX)

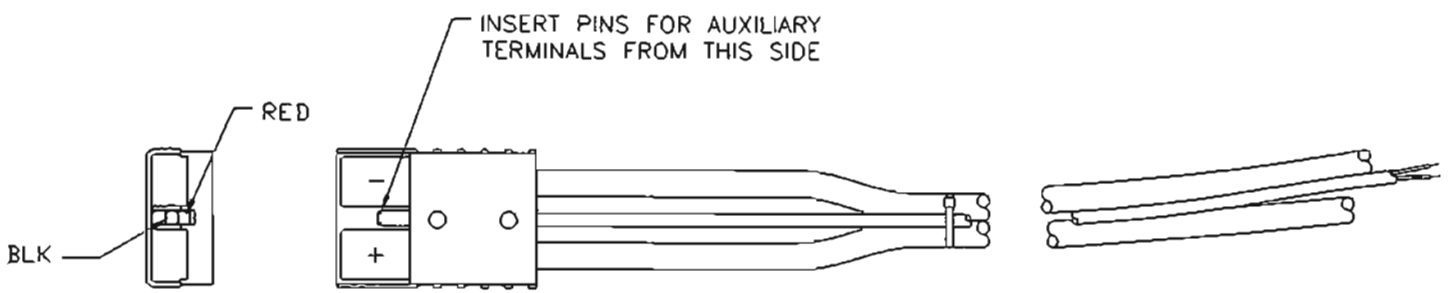


Fig. 3A
Charger installation (SBX)

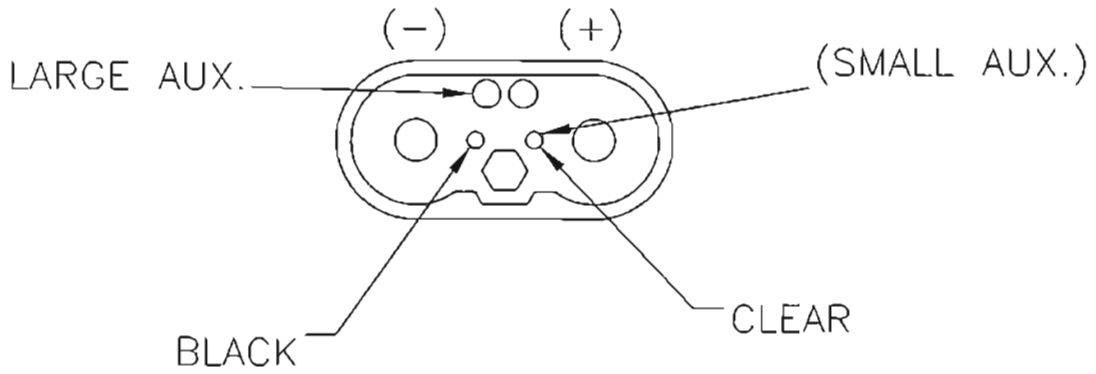


Fig. 3B
Charger installation (EBC)

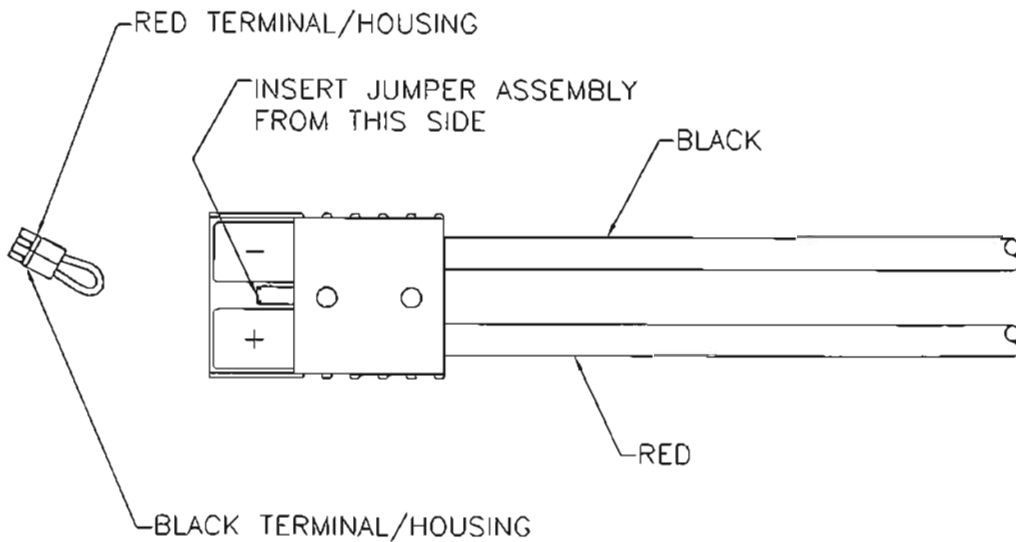


Fig. 4A
Battery installation (SBX)

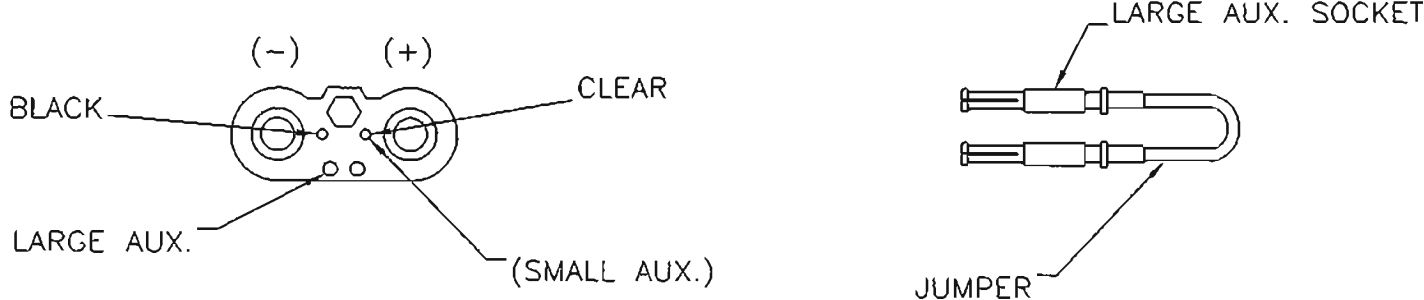


Fig. 4B
Battery installation (EBC)

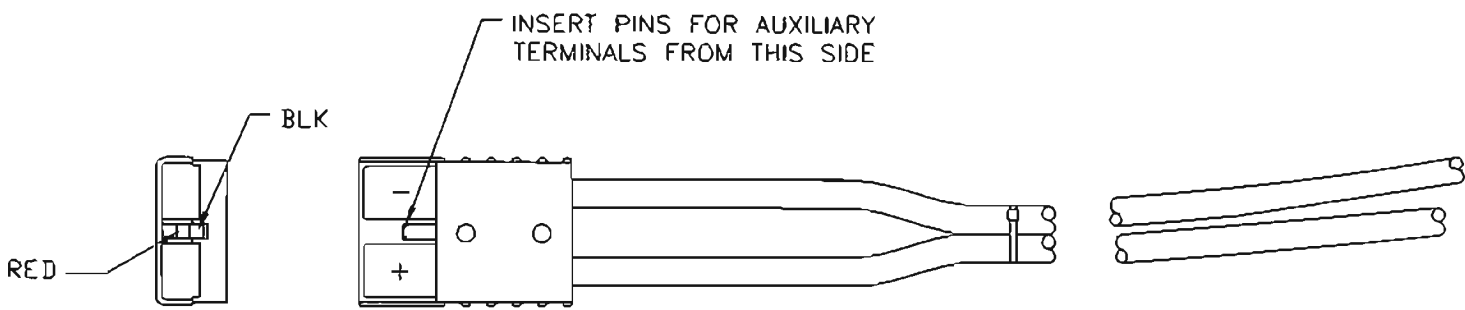


Fig. 5
Battery installation (SBX)



www.appliedenergysol.com
 One Technology Place, Caledonia, NY 14423 Tel.: 1-800-836-2132 Tech. Support: 1-800-330-8044