

**MAVERICK™ HIGH FREQUENCY
CONVENTIONAL CHARGER**

*More energy efficient than low frequency conventional chargers,
with a .95 full load power factor. The Maverick delivers a reduced
battery recharge temperature, due to low ripple current.*



THE POWER OF EXCELLENCE



Tel: 585-538-4421

800-836-2132

Fax: 585-538-6345

One Technology Place

Caledonia, New York 14423

www.AppliedEnergySol.com



Maverick™ High Frequency Conventional Charger

The Maverick High Frequency Conventional Charger, using Insulated Gate Bipolar Transistors (IGBT), returns more energy at a lower cost than low frequency conventional chargers.

It has a high power factor and is one of the most efficient chargers available, resulting in the lowest operating cost. Additionally, its design allows for lower battery heating due to a very low ripple current.

These features, combined with a full two-year warranty, make the Maverick line of high frequency chargers the absolute best value in the market.

Features & Benefits

Delayed start from fifteen minutes to two hours in fifteen minute intervals

Equalize can be done manually every five cycles

Automatic refresh charge every 12 hours

Remote Control Interface for use when mounted above arms reach

Auto start with five second delay

Automatic Shutdown for the following:

- 80% or final charge exceeds time limit
- Volts per cell outside safe limits
- Charging current too low
- Charger internal temperature outside of specification

Digital Readout Display:

- Charge current/voltage
- Equalize in process
- Fault codes

LED Charge Status Indicators:

- Gas gauge
- Charging
- 80% charged
- Charge complete
- Equalize
- Fault shutdown

Options

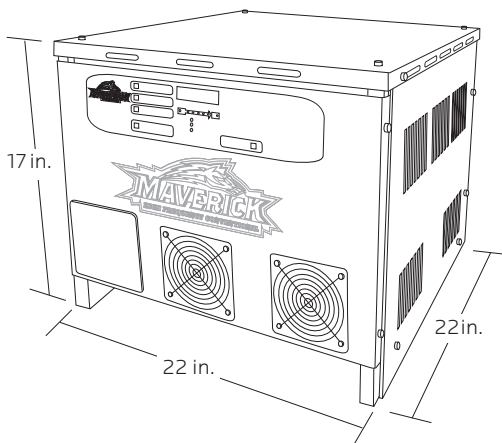
- Wall mount
- Remote control box
- Stackable with no brackets required
- Custom output cable lengths up to 20 ft max
- Weight: Approx. 150 lbs. (depending on model size)

Product Safety

- UL Listed
- AC Specifications three phase 480 VAC
- UL Listed to Canadian Safety Standards

Warranty Details

See warranty certificate. CAUTION: disconnecting the battery from the charger during the charge cycle without manually stopping the charger can cause damage to both operator and equipment and void the warranty.



THE POWER OF EXCELLENCE



Tel: 585-538-4421 One Technology Place
 800-836-2132 Caledonia, New York 14423
 Fax: 585-538-6345 www.AppliedEnergySol.com